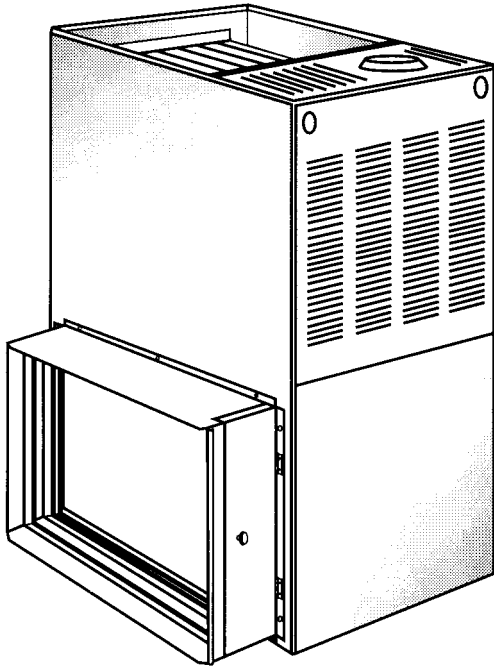


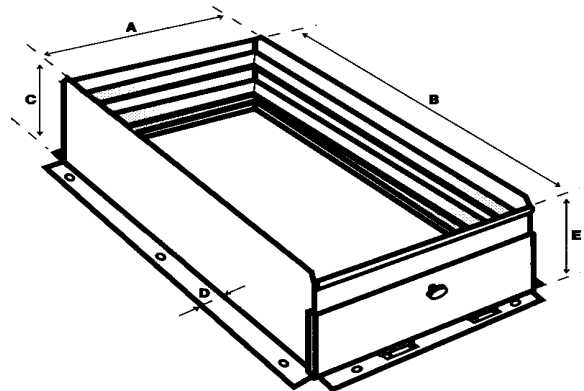
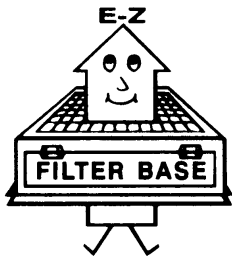
SIDE RETURN FURNACE FILTER ACCESS

"Make It E-Z For Your Customer"

- Open Access Door - Remove Filter
- No Unit Panels or Door To Remove
- Use Standard Size Filter
- Keeps Evaporator Coils Clean
- More Efficient Heating & Cooling
- Customized Professional Installations
- Accepts 1" or 2" Filter
- Application - Side Return - Left / Right



* 1425SR "D" FLANGE ON "B" SIDE IS FOLDED INWARD IN FILTER AREA



Physical Data and Specifications

MODEL NUMBER	A	B	C	D	E	GAUGE METAL	APPROX. WEIGHT	FILTER SIZE
EZ-1425SR	14"	25"	6"	*0"	5 5/8"	24	9 LBS.	14 X 25
EZ-1625SR	16"	25"	6"	1"	5 5/8"	24	10 LBS.	16 X 25

Note: Accepts 1" or 2" Filter
FILTER NOT INCLUDED

Suitable for use With Disposable Or
Electrostatic Washable Type Filters

E-Z FILTER BASE MFG., INC.

P.O. BOX 180954 - DALLAS, TEXAS 75218-0954